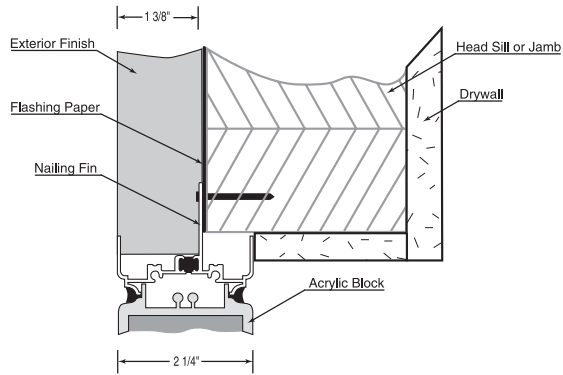
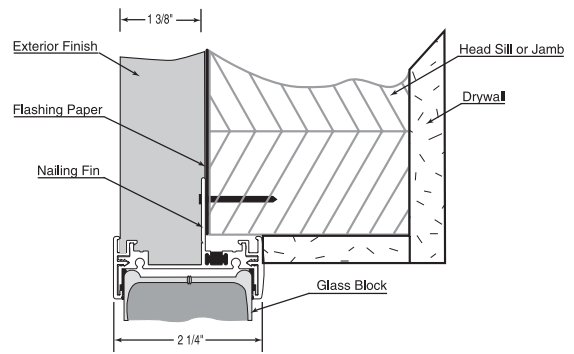


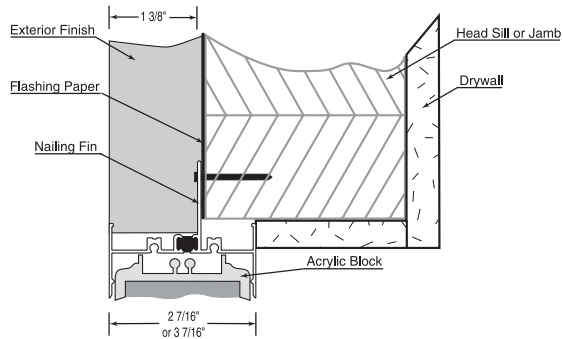
Installation Diagrams



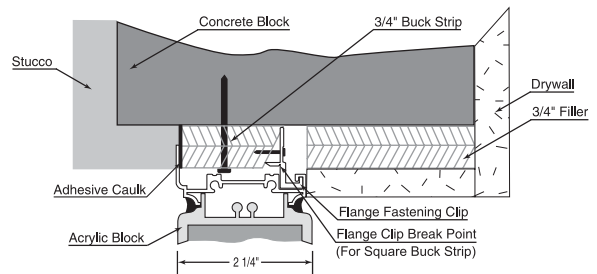
3100 Series Aluminum Frame (2 1/4" Thick Block)
 Available in White, Tan or Bronze and 1 3/8" or 7/8" Nail Fin Setback



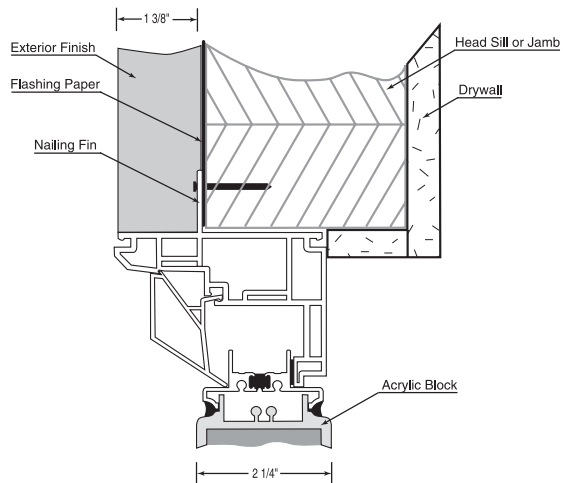
8100 Series Vinyl-Clad Frame (2" Thick Glass Block)
 Available in White, Almond or Clay and 1 3/8" or 7/8" Nail Fin Setback



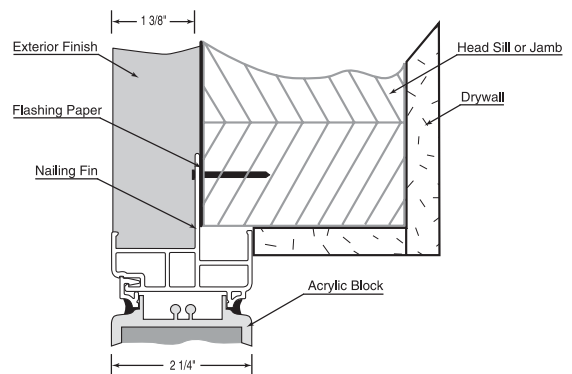
Radius Top and Special Shape
3100 Series Aluminum Frame (2 1/4" Thick Block)
 Available in White, Tan or Bronze and 1 3/8" or 7/8" Nail Fin Setback



Aluminum Flange Frame with Clip (2 1/4" Thick Block)
 Available in White, Tan or Bronze



5100 Series Classic Vinyl Frame (2 1/4" Thick Block)
 Available in White or Almond with an 1 3/8" Nail Fin Setback



4150 Series Slim Line Vinyl Frame (2 1/4" Thick Block)
 Available in White, Almond or Clay and 1 3/8" or 7/8" Nail Fin Setback

The above diagrams show basic installation instructions and are not drawn to scale.