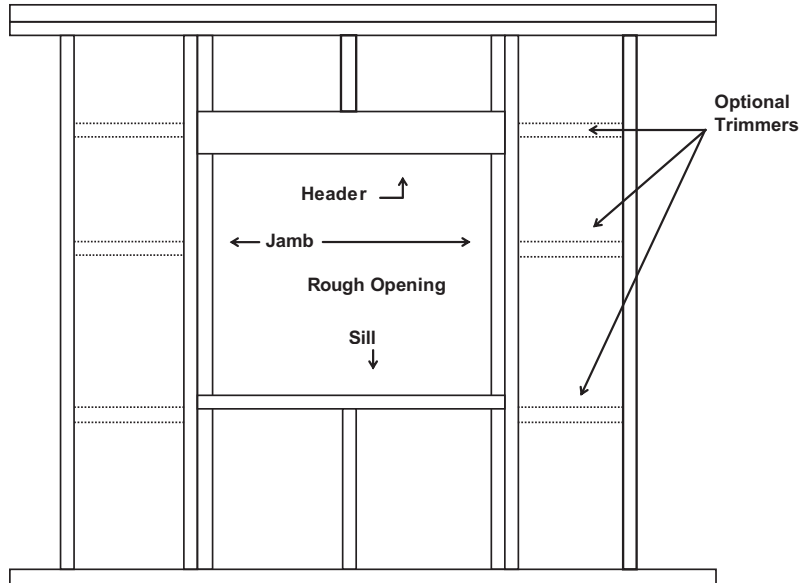
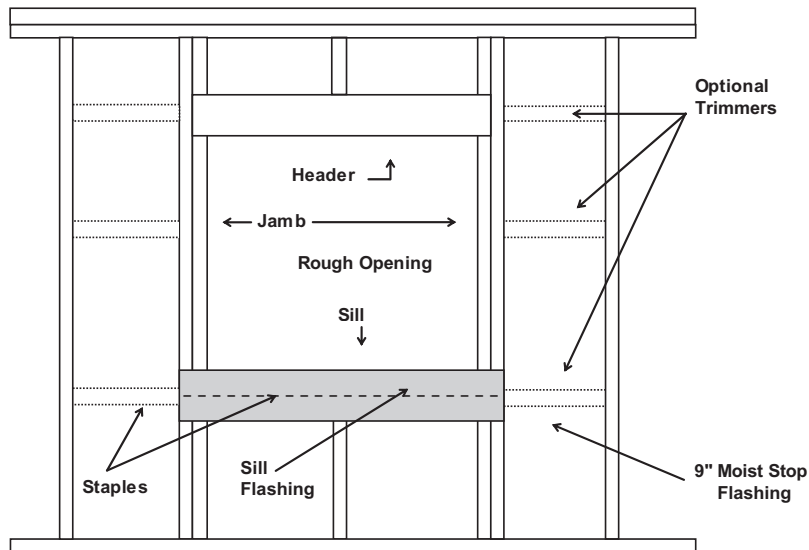


Builders Accessories, Inc.

Recommended AAMA Installation Method

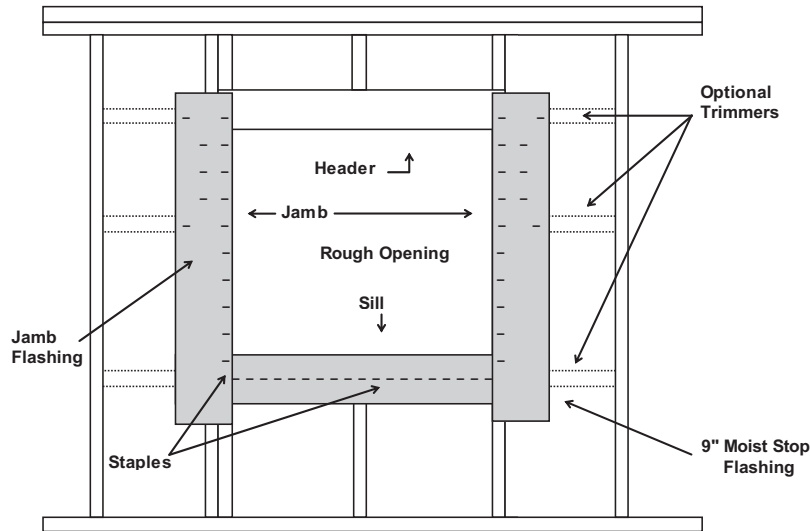


1. View of properly prepared opening. Sill and head must be level and the jambs must be plumb. It is recommended that trimmers be added to the framing to allow the flashing paper to be stapled once the lathing contractor has applied his felt paper. However, this is not required.

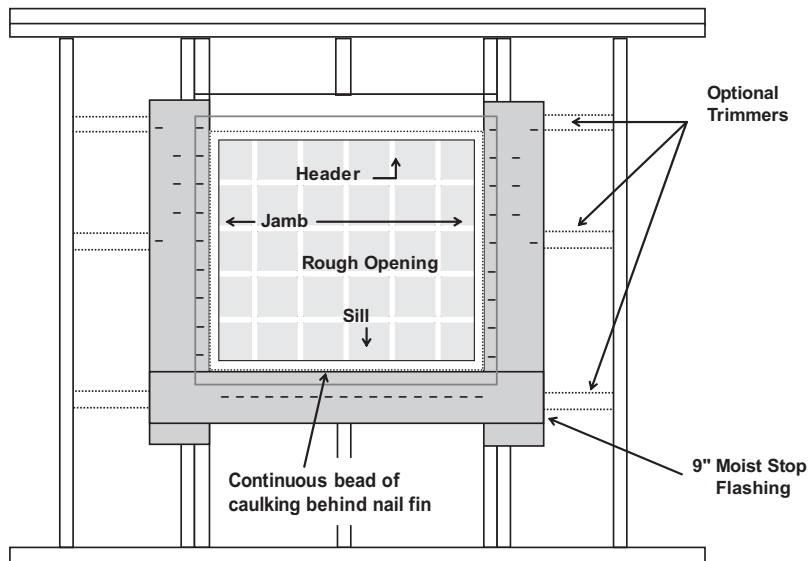


2. Attach 9" moist stop to the sill, extending the flashing approximately 9" beyond the rough opening on both sides. Staple the flashing at the sill plate, leaving the bottom edges loose to allow for the felt paper to be tucked underneath the flashing. Staple the ends to the trimmer. If trimmers are not used, extend the flashing to the next vertical stud and staple the ends.

Builders Accessories, Inc. Recommended AAMA Installation Method



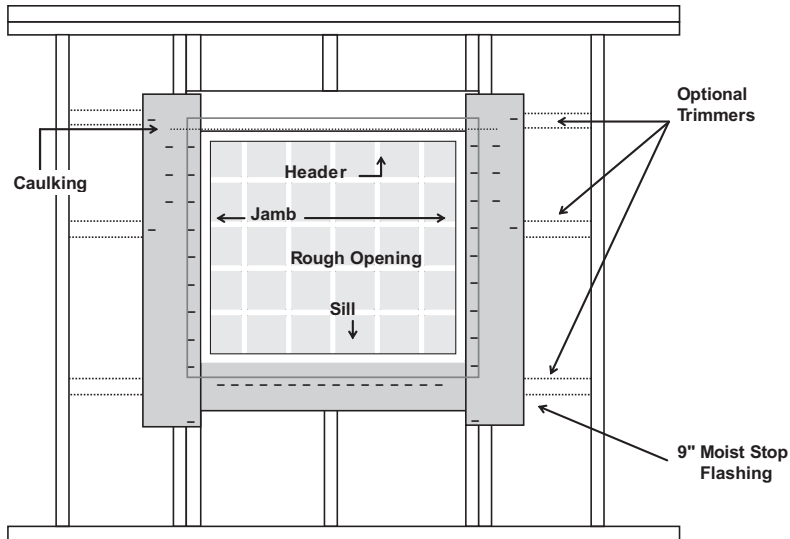
3. Attach 9" moist stop to the jambs, allowing it to extend approximately 11" beyond the rough opening on the bottom and 7" above the lower edge of the header. Secure with staples at jambs, top of header and halfway down from the top of the window. Staple the bottom of the jamb flashing on the studs.



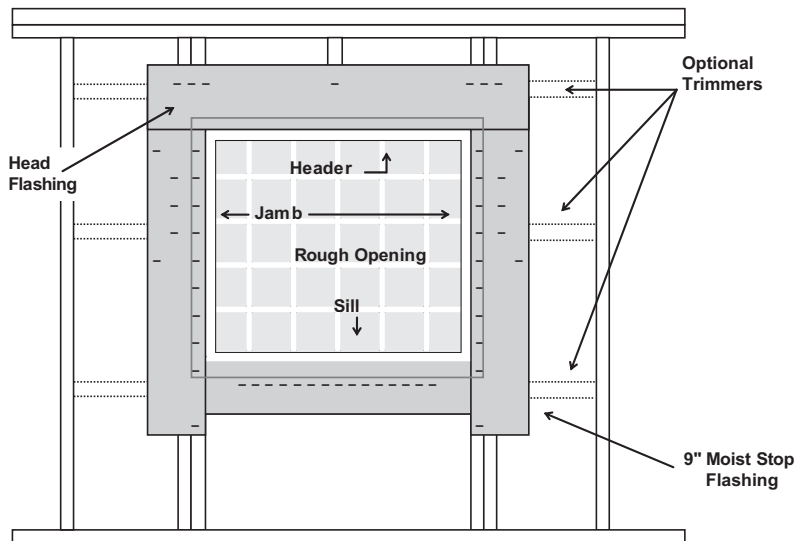
4. At this stage, a continuous bead of caulking compatible with the moist stop flashing is applied to the back side of the window's nail fin. The window is then fitted to the opening and set directly on the sill plate, enhancing the structural integrity. If necessary, shims can be applied to correct any irregularities in the sill plate. The window can then be squared up and screwed or nailed into place. Fasteners are applied to the nail fin around the perimeter of the frame every 10 inches. The fasteners at each corner can be no closer than 3", but no more than 6" from the corner of the window frame. Apply caulking to each screw head in a quantity sufficient to cover the entire head, sealing it to the nail fin.

Builders Accessories, Inc.

Recommended AAMA Installation Method



5. Prior to applying the head flashing, a continuous bead of caulking is applied to the head nail fin, extending 1" beyond the jamb nail fins on both sides of the window.



6. The head flashing is then applied. Extend the flashing to the outer edge of the jamb flashing and staple as shown.